

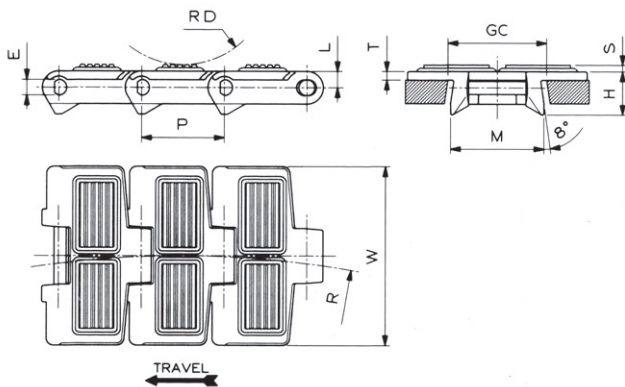
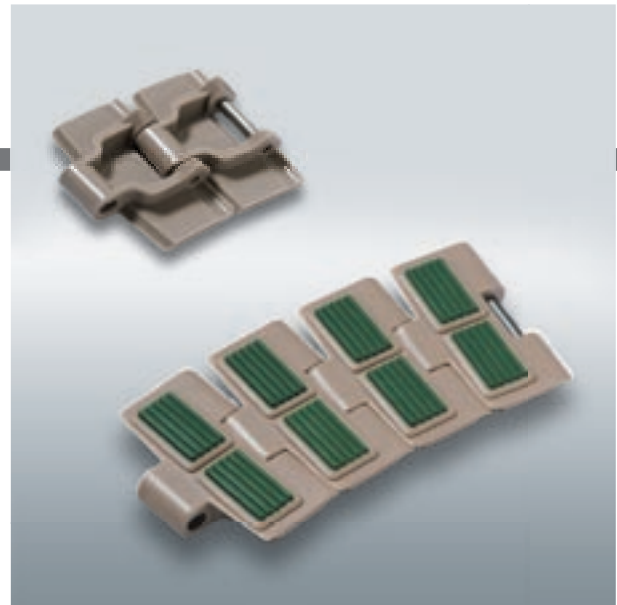


FliteTop®

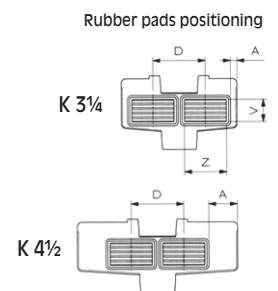
SIDEFLEXING CHAIN WITH RUBBER SURFACE

HF 880 SERIES - BEVEL

Reference	Standard Materials
HF 880	LW
Pad Material: Thermoplastic rubber (see page 62).	
Pin Material: Cold rolled austenitic stainless steel.	



Dimension	mm	inches
P	38,1	1.5
M	43,0	1.693
L	7,6	.299
H	19,9	.783
E	7,05	.278
S	3	.118
V	16	.63
Z	30	1.181
RD	40	1.575
GC (Straight)	44,5	1.752
GC (Curve)	41,5	1.634



Chain material see page 12

Sprockets and Idler wheels see pages 202+205

Corner tracks see page 283

Sprocket positioning see page 299

HF 880 (Sideflexing - Bevel - Rubber Pad)

MATERIAL	REGINA REF.	CHAIN WIDTH W		PLATE THICKNESS T		PADS PITCH D		A		SIDEFLEXING RADIUS R		WORKING LOAD (25°C/77°F)		CHAIN WEIGHT	
		mm	inches	mm	inches	mm	inches	mm	inches	mm	inches	N	lbs	kg/m	lbs/ft
ACETAL RESIN (LW)	HF 880 LW K 3 1/4	82,6	3.25	4,0	0.157	37,5	1.476	4,5	0.177	457,2	18	2000	450	1,04	0.70
	HF 880 LW K 4 1/2	114,3	4.50	4,0	0.157	37,5	1.476	20,4	0.803	609,6	24	2000	450	1,19	0.80

Standard length: 3,048 m (10 feet)