

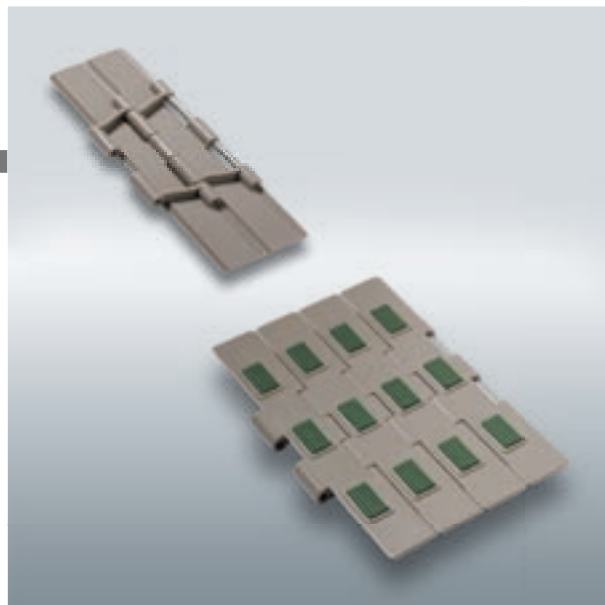


# FliteTop®

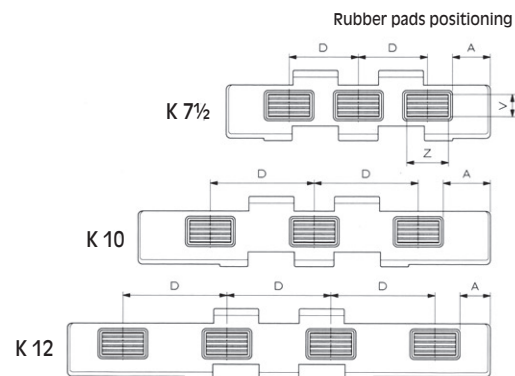
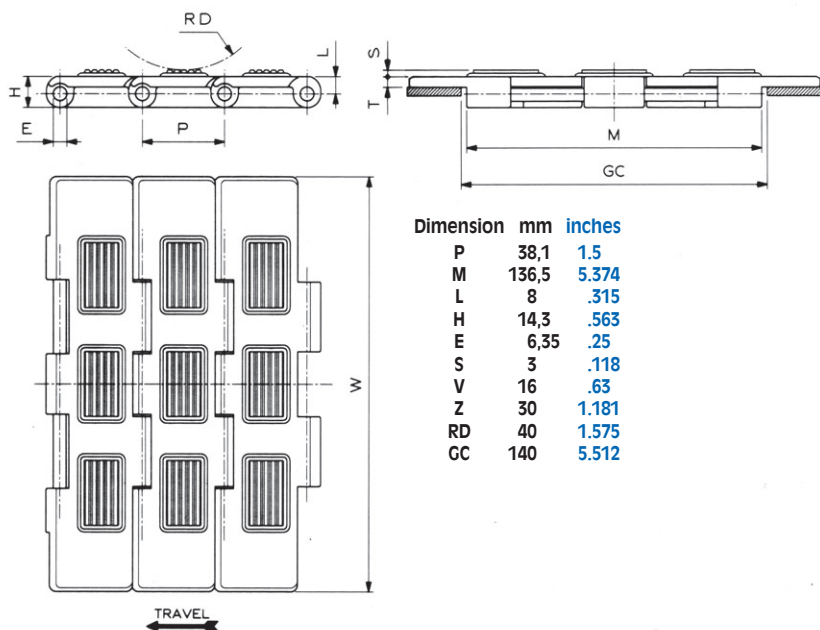
## STRAIGHT RUNNING CHAIN WITH RUBBER SURFACE

### HF 821 SERIES - DOUBLE HINGE

- Reinforced top plate thickness 4,8 mm.



Reference	Standard Materials
HF 821	LW
Pad Material: Thermoplastic rubber (see page 62).	
Pin Material: Cold rolled austenitic stainless steel.	



Chain material  
see page 12



Sprockets and Idler  
wheels see pages 200+201



Sprocket positioning  
see page 299

### HF 821 (Straight Running - Reinforced Top Plate Thickness - Double Hinge - Rubber Pad)

MATERIAL	REGINA REF.	CHAIN WIDTH W		PLATE THICKNESS T		PADS PITCH D		A		WORKING LOAD (25°C/77°F)		CHAIN WEIGHT	
		mm	inches	mm	inches	mm	inches	mm	inches	N	lbs	kg/m	lbs/ft
ACETAL RESIN (LW)	HF 821 LW K 7 1/2	190,5	7.50	4,8	0.189	50,0	1.969	27,3	1.075	2750	619	2,64	1.77
	HF 821 LW K 10	254,0	10.00	4,8	0.189	75,0	2.953	34,0	1.339	2750	619	3,08	2.07
	HF 821 LW K 12	304,8	12.00	4,8	0.189	75,0	2.953	21,9	0.862	2750	619	3,40	2.28

Standard length: 3,048 m (10 feet)