



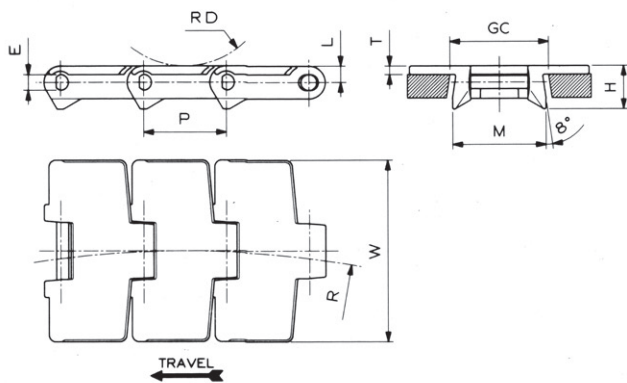
FliteTop®

SIDEFLEXING CHAIN

880 SERIES - BEVEL

Reference	Standard Materials		
	LW	UP	*AR
880			

Pin Material: Cold rolled austenitic stainless steel.



Dimension	mm	inches
P	38,1	1.5
M	43	1.693
L	7,6	.299
H	19,9	.783
E	7,05	.278
RD	40	1.575
GC (Straight)	44,5	1.752
GC (Curve)	41,5	1.634

880 (Sideflexing - Bevel)



Chain material
see page 12



Sprockets and Idler
wheels see pages 202+205



Corner tracks
see page 283



Sprocket positioning
see page 299

MATERIAL	REGINA REF.	CHAIN WIDTH W		PLATE THICKNESS T		SIDEFLEXING RADIUS R		WORKING LOAD (25°C/77°F)		CHAIN WEIGHT	
		mm	inches	mm	inches	mm	inches	N	lbs	kg/m	lbs/ft
ACETAL RESIN (LW)	LW 880 K 3 ¼	82,6	3.25	4,0	0.157	457,2	18	2000	450	0,89	0.60
	LW 880 K 4 ½	114,3	4.50	4,0	0.157	609,6	24	2000	450	1,04	0.70
ULTRA PERFORMANCE ACETAL RESIN (UP)	UP 880 K 3 ¼	82,6	3.25	4,0	0.157	457,2	18	2000	450	0,89	0.60
	UP 880 K 4 ½	114,3	4.50	4,0	0.157	609,6	24	2000	450	1,04	0.70
ABRASION RESISTANT RESIN* (AR)	AR 880 K 3 ¼	82,6	3.25	4,0	0.157	457,2	18	1600	360	0,79	0.53
	AR 880 K 4 ½	114,3	4.50	4,0	0.157	609,6	24	1600	360	0,89	0.60

* Due to different shrinkage of materials, actual width is larger than the standard.

Standard length: 3,048 m (10 feet)