

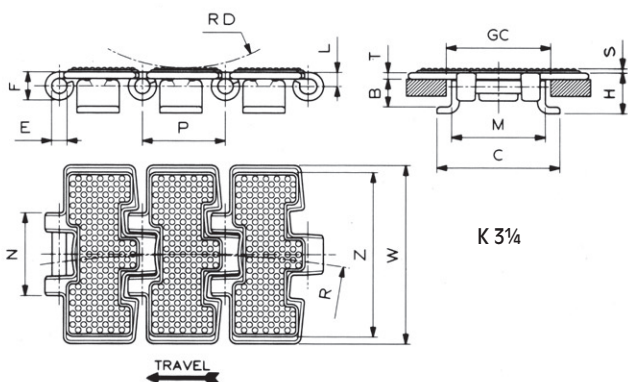


# FliteTop®

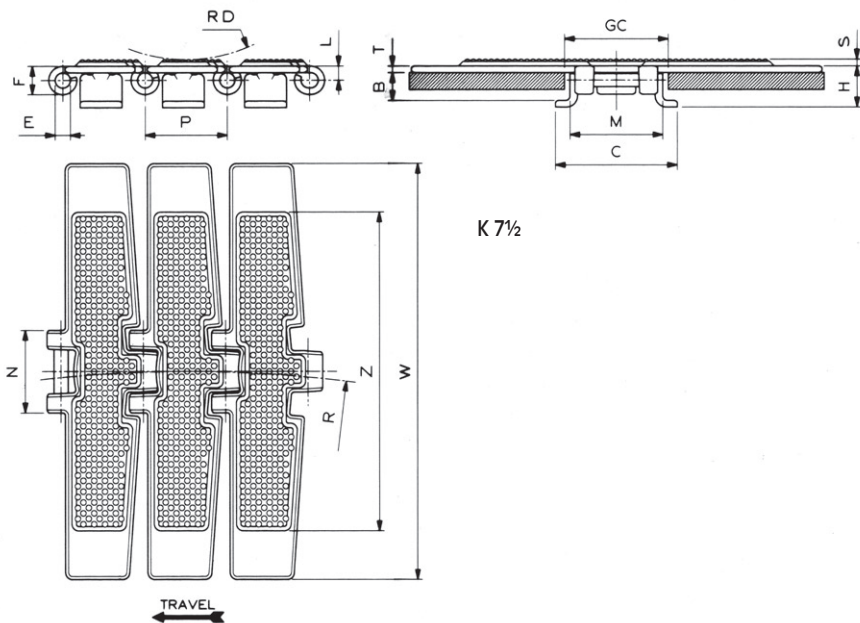
## SIDEFLEXING CHAIN WITH RUBBER SURFACE

G 981T SERIES - TAB, REDUCED FLIGHT GAP

Reference Standard Materials  
**G 981T** **P**  
 Pad Material: Nitrile rubber (see page 36).  
 Pin Material: Cold rolled austenitic stainless steel



Dimension	mm	inches
P	38,1	1.5
T	3	.118
S	2	.079
M	43	1.693
N	38,3	1.508
C	56	2.205
L	6,4	.252
H	19,3	.760
E	6,35	.25
B	12,8	.504
F	13	.512
Z	76	2.992
RD	75	2.953
GC (Straight)	46	1.811
GC (Curve)	44,5	1.752



Dimension	mm	inches
P	38,1	1.5
T	3	.118
S	2,8	.11
M	43	1.693
N	38,3	1.508
C	56	2.205
L	6,4	.252
H	19,3	.76
E	6,35	.25
B	12,8	.504
F	13	.512
Z	146	5.748
RD	75	2.953
GC (Straight)	46	1.811
GC (Curve)	44,5	1.752



Chain material see page 12



Sprockets and Idler wheels see pages 190-195



Corner tracks see page 280



Sprocket positioning see page 299

### G 981T (Sideflexing - Tab - Rubber Surface)

MATERIAL	REGINA REF.	CHAIN WIDTH W		SIDEFLEXING RADIUS R		YIELD LOAD AVERAGE		CHAIN WEIGHT	
		mm	inches	mm	inches	N	lbs	kg/m	lbs/ft
PRIMA (P)	PG 981T K 3 1/4	82,6	3.25	457,2	18	8000	1,800	3,07	2.06
	PG 981T K 7 1/2	190,5	7.50	609,6	24	8000	1,800	5,30	3.56

Standard length: 3,048 m (10 feet)